



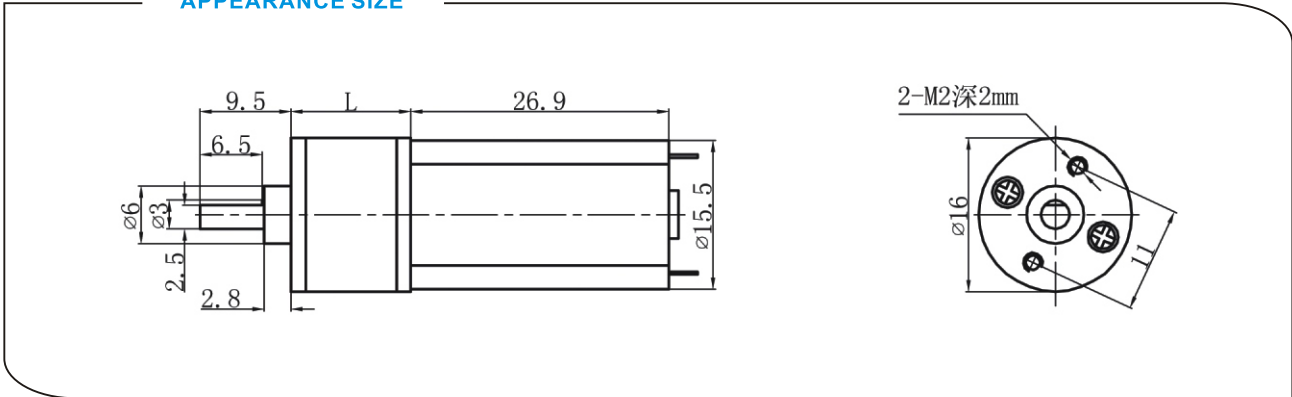
## DS-16RS050 DC SPUR GEAR MOTOR Series

Main voltage: 6VDC, 12VDC, 24VDC

Typical applications:

Pan/Tilt cameras, Grill, Oven, Cleaning machine, Garbage disposers, Packing bank note machine, Coffee machine, Medical machine, Manostat, Amusement equipment, infusion pumps, Office equipment, Household appliances, Automatic

### APPEARANCE SIZE



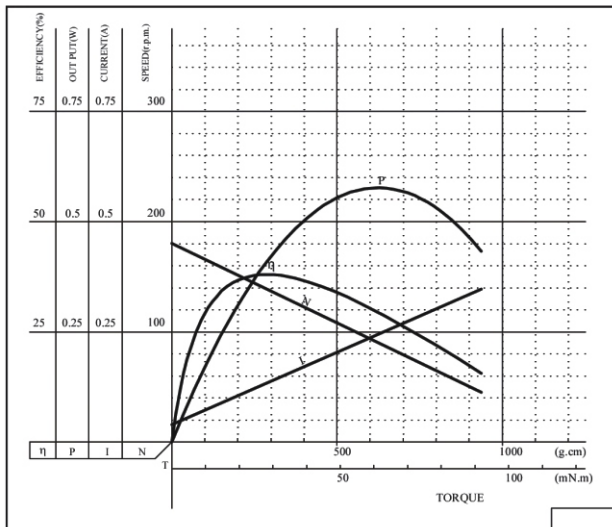
### Geared Motor

MODEL	VOLTAGE 电压	NO LOAD/空载		AT MAXIMUM EFFICIENCY/负载				STALL/堵转	
		SPEED 转速	CURRENT 电流	SPEED 转速	CURRENT 电流	TORQUE 转矩	OUTPUT 功率	TORQUE 转矩	CURRENT 电流
		V	R/min	A	R/min	A	Kg/cm	W	Kg/cm
DS-16A05088100-45K	8	180	0.04	146	0.10	0.25	0.37	1.25	0.45
DS-16A050611400-362K	6	31.5	0.10	25	0.32	2.0	0.36	9.67	1.30

### Curve Chart

MODEL: DS-16RS05088100-45K

VOLTAGE: 8.0V



MODEL: DS-16RS050611400-362K

VOLTAGE: 6.0V

