

# DS-50RS40ZY DC GEAR MOTOR Series **DongShun**

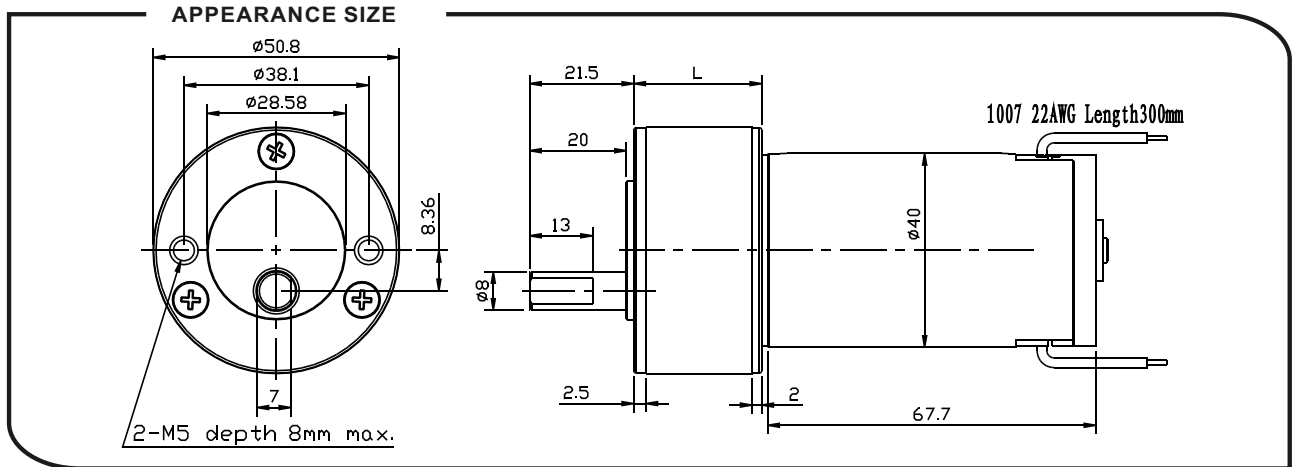


**Main voltage:** 3VDC、6VDC、9VDC、12VDC、24VDC、36VDC

**Typical applications:** Garbage disposers, Slot machine, Peristaltic pump, Angular telescope, Automatic door, Electric advertising, Medical equipment, ATM bank automatic system, Household appliances, Automatic actuator, Office equipment.

**Weight:** 450~500g/pcs (approx)

**Packing details:** CTN size: 34X31XH15cm 20pcs/CTN G.W.13Kgs



## Gearbox data:

Number of stages	2、3 stages reduction	4、5 stages reduction	6 stages reduction
Reduction ratio	7.2、7.5、13.3、13.8; 29、30、53、55	116、120、213、220; 464、480、853、883	1856、1920、3415、3532
Gearbox length "L" mm	26.4	30.2 33.9	37.7
Max. Running torque	10Kgf • cm	30Kgf • cm	30Kgf • cm
Max. Gear breaking torque	30Kgf • cm	90Kgf • cm	90Kgf • cm
Max. Gearing efficiency	81%; 73%	65%; 59%	53%

Other reduction ratio please telephone or e-mail to our engineering department.

## Motor data:

Motor name	Rated Volt. V	No load		Load torque				Stall torque	
		Current	Speed	Current	Speed	Torque	Output power	Torque	Current
		mA	r/min	mA	r/min	gf • cm	W	gf • cm	A
40ZY123000	12	≤120	3000	≤750	2200	220	4.8	900	2.8
40ZY124500	12	≤190	4500	≤1500	3300	300	9.9	1200	6.0
40ZY126000	12	≤250	6000	≤3000	4500	400	18.0	1600	10
40ZY243000	24	≤80	3000	≤400	2200	220	4.8	900	1.5
40ZY244500	24	≤120	4500	≤800	3300	300	9.9	1200	3.0
40ZY246000	24	≤160	6000	≤1500	4500	400	18.0	1600	5.5

1. This table lists some motors parameters, others please refer to specific parameters of Page 152.

2. After connecting motor and gearbox which is named gearmotor the output torque: motor torque X reduction ratio X gearing efficiency; output speed: motor speed / reduction ratio.

## NOTE:

- 1、 Gearmotor named methods: e.g. DS-50RS40ZY123000-120K Motor please refer to the motor data 40ZY123000. Gearbox please refer to gearbox data reduction ratio 120. Related to gearmotor output speed and torque please refer to motor data.
- 2、 Motor can be installed with magnetic encoder, encoder parameters please refer to Page 138.
- 3、 Gearbox shell material: zinc alloy.
- 4、 Gearbox gear materials: The first stage gear: plastic gear. The final stage gear: 45<sup>#</sup> steel Heat-treatment gear. Other stages gear: powder metallurgy gear.
- 5、 Standard output shaft after reducing: 8.0mm. other sizes of the output shaft can make as client request.
- 6、 Chart only for reference, products shall prevail the entity.