

DS-50RS528 DC GEAR MOTOR Series DongShun



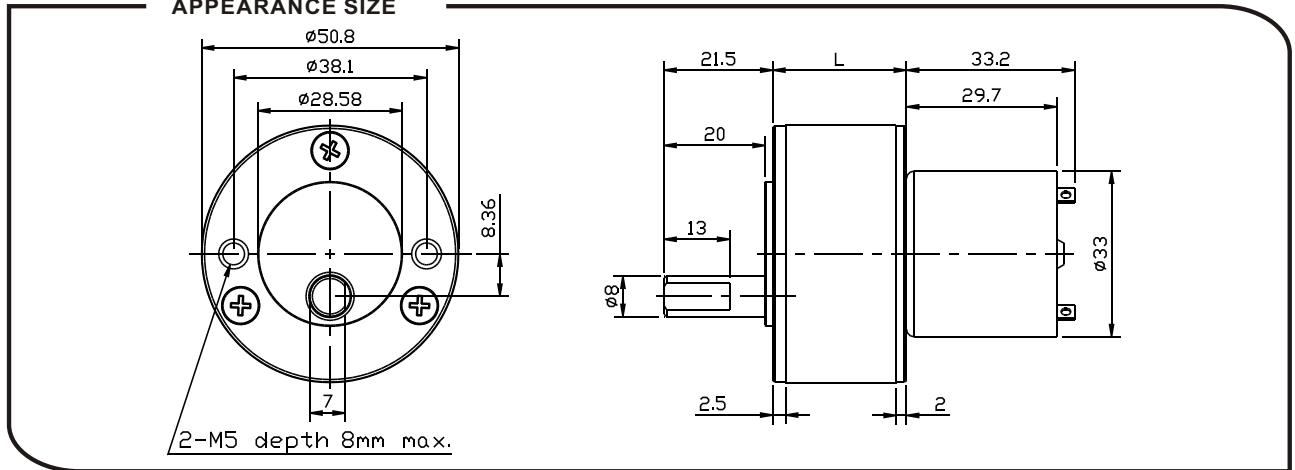
Main voltage: 3VDC、6VDC、9VDC、12VDC、24VDC、36VDC

Typical applications: Garbage disposers, Slot machine, Peristaltic pump, Angular telescope, Automatic door, Electric advertising, Medical equipment, ATM bank automatic system, Household appliances, Automatic actuator, Office equipment.

Weight: 360~420g/pcs (approx)

Packing details: CTN size: 34X31XH15cm 20pcs/CTN G.W.9Kgs

APPEARANCE SIZE



Gearbox data:

Number of stages	2、3 stages reduction	4、5 stages reduction	6 stages reduction
Reduction ratio	7.2、7.5、13.3、13.8; 29、30、53、55	116、120、213、220; 464、480、853、883	1856、1920、3415、3532
Gearbox length "L" mm	26.4	30.2 33.9	37.7
Max. Running torque	10Kgf • cm	30Kgf • cm	30Kgf • cm
Max. Gear breaking torque	30Kgf • cm	90Kgf • cm	90Kgf • cm
Max. Gearing efficiency	81%; 73%	65%; 59%	53%
Other reduction ratio please telephone or e-mail to our engineering department.			

Motor data:

Motor name	Rated Volt. V	No load		Load torque				Stall torque	
		Current	Speed	Current	Speed	Torque	Output power	Torque	Current
		mA	r/min	mA	r/min	gf • cm	W	gf • cm	mA
DS-528123400	12	≤40	3400	≤180	2500	40	1.0	160	720
DS-528124500	12	≤60	4500	≤350	3300	60	2.0	210	1400
DS-528126000	12	≤70	6000	≤720	4500	80	3.6	300	2800
DS-528243000	24	≤15	3000	≤80	2200	40	0.9	140	320
DS-528244500	24	≤25	4500	≤180	3300	60	2.0	210	730
DS-528246700	24	≤45	6700	≤360	4500	80	3.6	300	1400

- 1、 This table lists some motors parameters, others please refer to specific parameters of Page 146.
- 2、 After connecting motor and gearbox which is named gearmotor the output torque: motor torque X reduction ratio X gearing efficiency; output speed: motor speed / reduction ratio.

NOTE:

- 1、 Gearmotor named methods: e.g. DS-50RS528123400-120K Motor please refer to the motor data DS-528123400. Gearbox please refer to gearbox data reduction ratio 120. Related to gearmotor output speed and torque please refer to motor data.
- 2、 Motor can be installed with magnetic encoder, encoder parameters please refer to Page 140.
- 3、 Gearbox shell material: zinc alloy.
- 4、 Gearbox gear materials: The first stage gear: plastic gear. The final stage gear: 45# steel Heat-treatment gear. Other stages gear: powder metallurgy gear.
- 5、 Standard output shaft after reducing: 8.0mm. other sizes of the output shaft can make as client request.
- 6、 Chart only for reference, products shall prevail the entity.