



## DS-50RS555 DC SPUR GEAR MOTOR Series

Main voltage: 6VDC, 12VDC, 24VDC

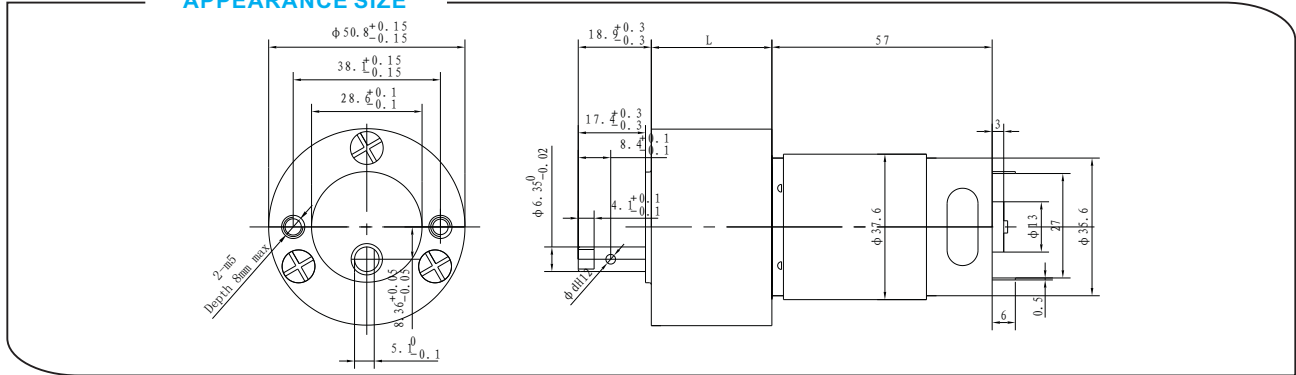
Typical applications:

Garbage disposers, Slot machine, Peristaltic pump, Angular telescope, Automatic door, Electric advertising, Medical equipment, ATM bank automatic system, Household appliances, Automatic actuator, Office equipment.

Weight: 500~650g/pcs (approx)

Packing details: CTN size: 28.4X32.4XH17.6cm 24pcs/CTN G.W. 16Kgs

### APPEARANCE SIZE



### Gearbox Data:

Number of stages	2 stages reduction	3 stages reduction	4 stages reduction	5 stages reduction	6 stages reduction	7 stages reduction
Reduction ratio	7.5	13.5、21.8	31.8、54.6、69.3	89.8、136.5、155、163.5、184、220.8	238.4、321.8、385.5、434.3 460.6、552、586、702.5	758.4、908.8、1023.8、1226.7 1382、1656、1865.4、2235
Gearbox length "L" mm	20	24.5	29	33.5	38	42.5
Max. Running torque	10Kgf·cm	10Kgf·cm	30Kgf·cm	30Kgf·cm	30Kgf·cm	30Kgf·cm
Max. Gear breaking torque	30Kgf·cm	30Kgf·cm	90Kgf·cm	90Kgf·cm	90Kgf·cm	90Kgf·cm
Max. Gearing efficiency	81%	73%	65%	59%	53%	47%

Other reduction ratio please telephone or e-mail to our engineering department.

### Motor Data:

Motor name	Rated Volt. V	No load		Load torque				Stall torque	
		Current	Speed	Current	Speed	Torque	Output power	Torque	Current
		mA	r/min	mA	r/min	gf·cm	W	gf·cm	A
RS-555123000	12	≤140	3000	≤800	2200	150	3.3	600	3
RS-555124500	12	≤220	4500	≤1200	3300	220	7.2	880	4.8
RS-555126000	12	≤350	6000	≤2000	4500	300	13.5	1200	6
RS-555243000	24	≤70	3000	≤400	2200	150	3.3	600	1.6
RS-555244500	24	≤110	4500	≤600	3300	220	7.2	880	3
RS-555246000	24	≤180	6000	≤1000	4500	300	13.5	1200	4

Remarks: After connecting motor and gearbox (named gear motor), the output torque of gear motor = driving motor torque \* gear reduction ratio \* gearing efficiency; Output speed of gear motor = Driving motor speed / gear reduction ratio.

### NOTE:

1. Gear motor named methods: e.g. DS-50RS555123000-155K, as for Driving Motor, please refer to the motor data of RS-555123000; Gearbox, please refer to gearbox data of reduction ratio 155. Related to the gear motor output speed & torque, please refer to the remarks in driving motor data;
2. Motor can be installed with magnetic encoder, for more details, pls refer to our company website;
3. Standard output shaft after reducing:  $\phi 6.0$ mm, other sizes of the output shaft can be made as client's request;
4. The gear materials can be plastic, powder metallurgy, or 45# steel after heat-treatment;