



DS-50RS775 DC SPUR GEAR MOTOR Series

Main voltage: 6VDC, 12VDC, 24VDC

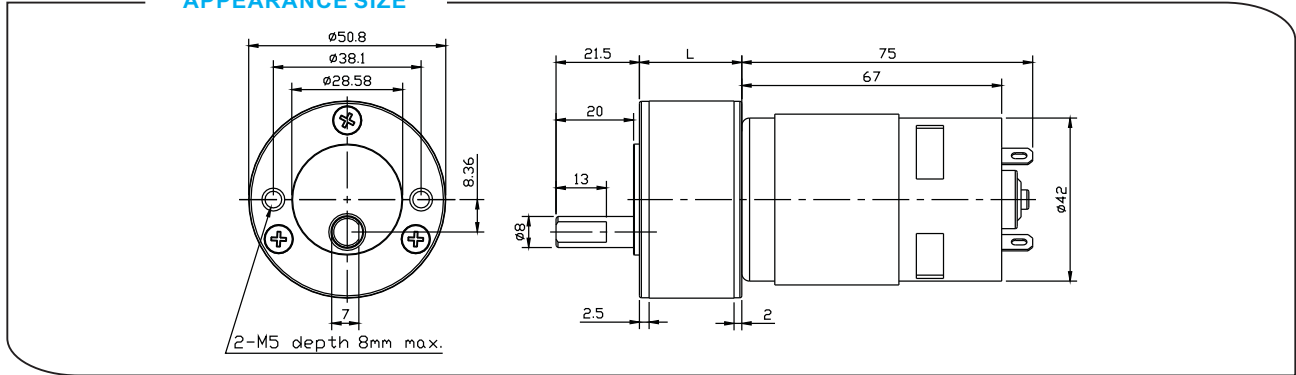
Typical applications:

Garbage disposers, Slot machine, Peristaltic pump, Angular telescope, Automatic door, Electric advertising, Medical equipment, ATM bank automatic system, Household appliances, Automatic actuator, Office equipment.

Weight: 500~650g/pcs (approx)

Packing details: CTN size: 28.4X32.4XH17.6cm 24pcs/CTN G.W. 16Kgs

APPEARANCE SIZE



Gearbox Data:

Number of stages	2 stages reduction	3 stages reduction	4 stages reduction	5 stages reduction	6 stages reduction	7 stages reduction
Reduction ratio	7.5	13.5, 21.8	31.8, 54.6, 69.3	89.8, 136.5, 155, 163.5, 184, 220.8	238.4, 321.8, 385.5, 434.3, 460.6, 552, 586, 702.5	758.4, 908.8, 1023.8, 1226.7, 1382, 1656, 1865.4, 2235
Gearbox length "L" mm	20	24.5	29	33.5	38	42.5
Max. Running torque	10Kgf • cm	10Kgf • cm	30Kgf • cm	30Kgf • cm	30Kgf • cm	30Kgf • cm
Max. Gear breaking torque	30Kgf • cm	30Kgf • cm	90Kgf • cm	90Kgf • cm	90Kgf • cm	90Kgf • cm
Max. Gearing efficiency	81%	73%	65%	59%	53%	47%

Other reduction ratio please telephone or e-mail to our engineering department.

Motor Data:

Motor name	Rated Volt. V	No load		Load torque				Stall torque	
		Current	Speed	Current	Speed	Torque	Output power	Torque	Current
		mA	r/min	mA	r/min	gf • cm	W	gf • cm	A
RS-775123000	12	≤220	3000	≤1000	2200	350	7.7	1400	3.5
RS-775124500	12	≤450	4500	≤2000	3300	500	16.5	2000	6.5
RS-775126000	12	≤900	6000	≤4000	4500	750	34	3000	13.0
RS-775243000	24	≤110	3000	≤500	2200	350	7.7	1400	1.8
RS-775244500	24	≤230	4500	≤1000	3300	500	16.5	2000	3.3
RS-775246000	24	≤450	6000	≤2000	4500	750	34	3000	7.0

Remarks: After connecting motor and gearbox (named gear motor), the output torque of gear motor = driving motor torque * gear reduction ration * gearing efficiency; Output speed of gear motor = Driving motor speed / gear reduction ration.

NOTE:

1. Gear motor named methods: e.g. DS-50RS775123000-155K, as for Driving Motor, please refer to the motor data of RS-775123000; Gearbox, please refer to gearbox data of reduction ration 155. Related to the gear motor output speed & torque, please refer to the remarks in driving motor data;
2. Motor can be installed with magnetic encoder, for more details, pls refer to our company website;
3. Standard output shaft after reducing: ϕ 6.0mm, other sizes of the output shaft can be made as client's request;
4. The gear materials can be plastic, powder metallurgy, or 45# steel after heat-treatment;