

DS-71SS545 DC GEAR MOTOR Series **DongShun**

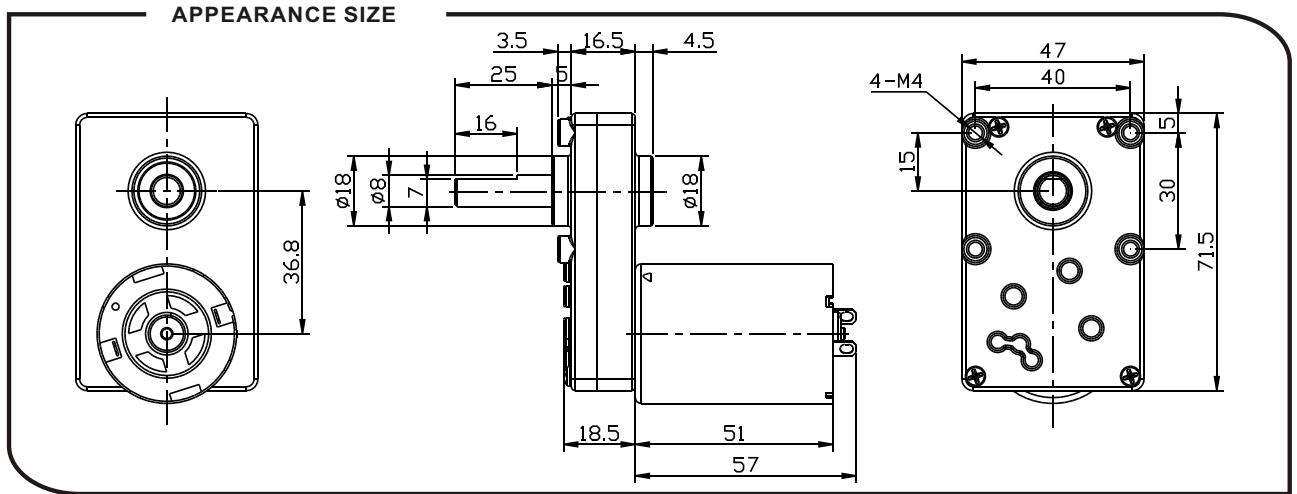


Main voltage: 3VDC、6VDC、9VDC、12VDC、24VDC、36VDC、

Typical applications: Auto shutter, Money detector, Binding machine, Automatic TV rack, Packing bank note machine, Towel dispensers, Tissue machine, Office equipment, Household appliances, Automatic actuator.

Weight: 450~500g/pcs(approx)

Packing details: 2CTN size: 55X35XH18cm 12pcs/CTN G.W. 14Kgs



Gearbox data:

Number of stages	3 stages reduction	4 stages reduction	5 stages reduction
Reduction ratio	73	135、174、252	391、506、730
Max. Running torque	10Kgf • cm	20Kgf • cm	30Kgf • cm
Max. Gear breaking torque	30Kgf • cm	60Kgf • cm	90Kgf • cm
Max. Gearing efficiency	73%	65%	59%

Other reduction ratio please telephone or e-mail to our engineering department.

Motor data:

Motor name	Rated Volt. V	No load		Load torque				Stall torque	
		Current	Speed	Current	Speed	Torque	Output power	Torque	Current
		mA	r/min	mA	r/min	gf • cm	W	gf • cm	mA
RS-545123000	12	≤110	3000	≤450	2200	100	2.2	400	1800
RS-545124500	12	≤220	4500	≤800	3300	150	4.9	600	3000
RS-545126000	12	≤350	6000	≤1500	4500	200	9.0	800	5500
RS-545243000	24	≤60	3000	≤230	2200	100	2.2	400	900
RS-545244500	24	≤110	4500	≤400	3300	150	4.9	600	1500
RS-545246000	24	≤150	6000	≤750	4500	200	9.0	800	3000

1. This table lists some motors parameters, others please refer to specific parameters of Page 147.

2. After connecting motor and gearbox which is named gearmotor the output torque: motor torque X reduction ratio X gearing efficiency; output speed: motor speed / reduction ratio.

NOTE:

- Gearmotor named methods: e.g. DS-71SS545123000-135K Motor please refer to the motor data RS-545123000. Gearbox please refer to gearbox data reduction ratio 135. Related to gearmotor output speed and torque please refer to motor data.
- Motor can be installed with magnetic encoder, encoder parameters please refer to Page 141.
- Gearbox shell material: zinc alloy.
- Gearbox gear materials: The first stage gear: plastic gear. The final stage gear: 45# steel Heat-treatment gear. Other stages gear: powder metallurgy gear.
- Standard output shaft after reducing: 8.0mm. other sizes of the output shaft can make as client request.
- Chart only for reference, products shall prevail the entity.