

# DS-71SS555 DC GEAR MOTOR Series **DongShun**



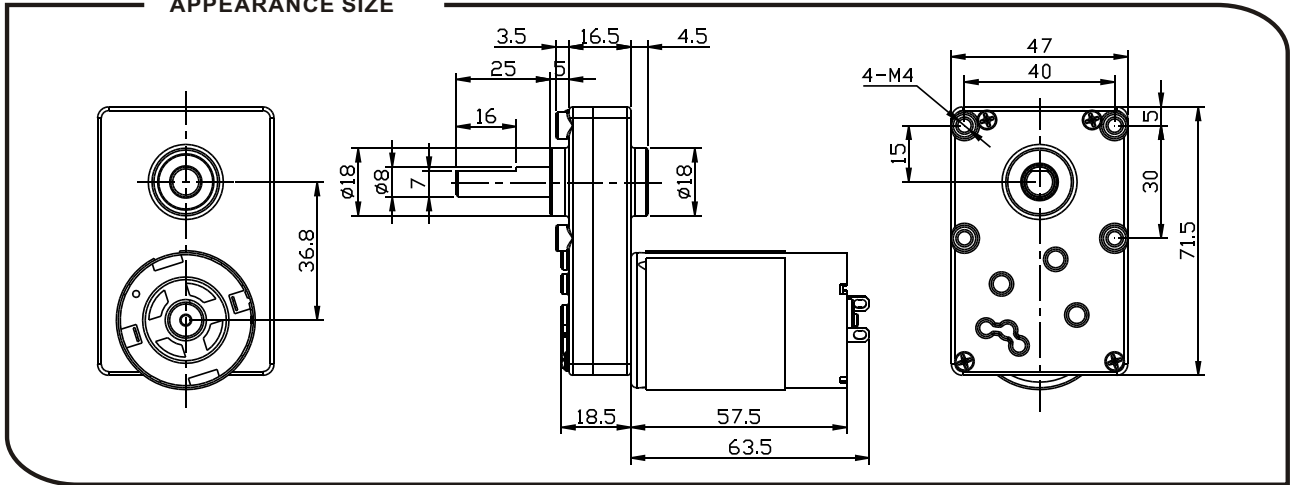
**Main voltage:** 3VDC、6VDC、9VDC、12VDC、24VDC、36VDC、

**Typical applications:** Auto shutter, Money detector, Binding machine, Automatic TV rack, Packing bank note machine, Towel dispensers, Tissue machine, Office equipment, Household appliances, Automatic actuator.

**Weight:** 500~550g/pcs(approx)

**Packing details:** CTN size: 55X35XH18cm 12pcs/CTN G.W.15Kgs

## APPEARANCE SIZE



## Gearbox data:

Number of stages	3 stages reduction	4 stages reduction	5 stages reduction
Reduction ratio	73	135、174、252	391、506、730
Max. Running torque	10Kgf • cm	20Kgf • cm	30Kgf • cm
Max. Gear breaking torque	30Kgf • cm	60Kgf • cm	90Kgf • cm
Max. Gearing efficiency	73%	65%	59%
Other reduction ratio please telephone or e-mail to our engineering department.			

## Motor data:

Motor name	Rated Volt. V	No load		Load torque				Stall torque	
		Current	Speed	Current	Speed	Torque	Output power	Torque	Current
		mA	r/min	mA	r/min	gf • cm	W	gf • cm	mA
RS-555123000	12	≤140	3000	≤800	2200	150	3.3	600	3000
RS-555124500	12	≤220	4500	≤1200	3300	220	7.2	880	4800
RS-555126000	12	≤350	6000	≤2000	4500	300	13.5	1200	6000
RS-555243000	24	≤70	3000	≤400	2200	150	3.3	600	1600
RS-555244500	24	≤110	4500	≤600	3300	220	7.2	880	3000
RS-555246000	24	≤180	6000	≤1000	4500	300	13.5	1200	4000

1、 This table lists some motors parameters, others please refer to specific parameters of Page 148.

2、 After connecting motor and gearbox which is named gearmotor the output torque: motor torque X reduction ratio X gearing efficiency; output speed: motor speed / reduction ratio.

## NOTE:

- 1、 Gearmotor named methods: e.g. DS-7SS555123000-135K Motor please refer to the motor data RS-555123000. Gearbox please refer to gearbox data reduction ratio 135. Related to gearmotor output speed and torque please refer to motor data.
- 2、 Motor can be installed with magnetic encoder, encoder parameters please refer to Page 141.
- 3、 Gearbox shell material: zinc alloy.
- 4、 Gearbox gear materials: The first stage gear: plastic gear. The final stage gear: 45# steel Heat-treatment gear. Other stages gear: powder metallurgy gear.
- 5、 Standard output shaft after reducing: 8.0mm. other sizes of the output shaft can make as client request.
- 6、 Chart only for reference, products shall prevail the entity.