

DS-95SS45ZY DC GEAR MOTOR Series DongShun

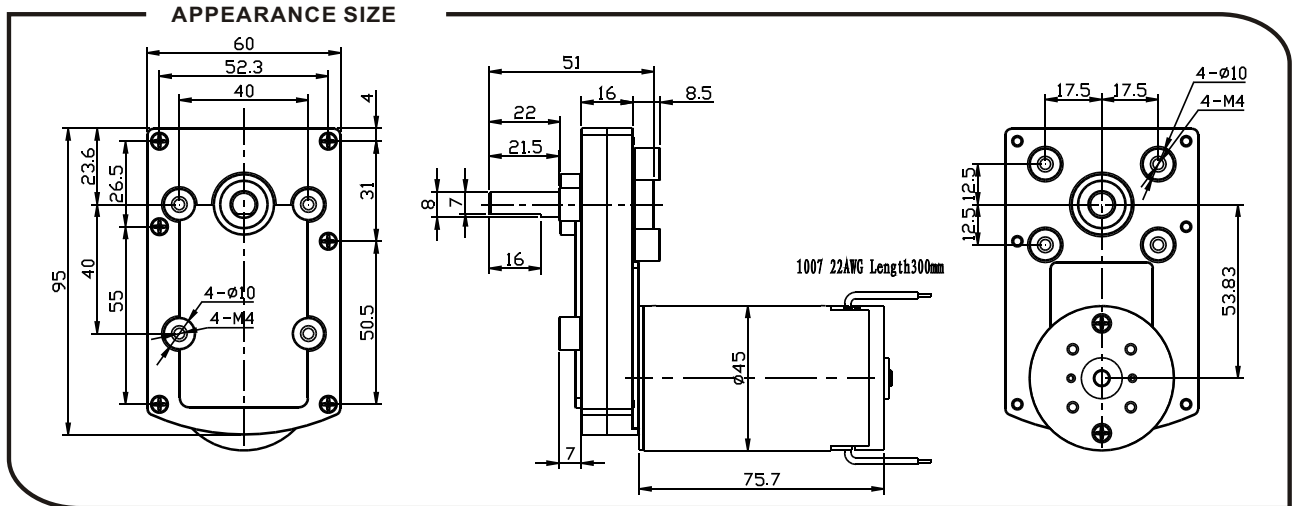


Main voltage: 3VDC, 6VDC, 9VDC, 12VDC, 24VDC.

Typical applications: Central air-conditioning valve, Amusement equipment, Coin refund devices, Grill, Oven, Peristaltic pumps, ATM bank automatic system, Robot, Medical equipment, Office equipment, Household appliances, Automatic actuator.

Weight: 650~700g/pcs (approx)

Packing details: CTN size: 55X35XH18cm 24pcs/CTN G.W. 18Kgs



Gearbox data:

Number of stages	3 stages reduction	4 stages reduction	5 stages reduction
Reduction ratio	36, 66, 94	149, 196, 211, 277, 394	624, 830, 1166
Max. Running torque	5Kgf · cm	20Kgf · cm	50Kgf · cm
Max. Gear breaking torque	15Kgf · cm	60Kgf · cm	150Kgf · cm
Max. Gearing efficiency	73%	65%	59%

Other reduction ratio please telephone or e-mail to our engineering department.

Motor data:

Motor name	Rated Volt. V	No load		Load torque				Stall torque	
		Current	Speed	Current	Speed	Torque	Output power	Torque	Current
		mA	r/min	mA	r/min	gf · cm	W	gf · cm	A
45ZY123000	12	≤250	3000	≤1700	2200	550	12.0	2200	6.5
45ZY124500	12	≤400	4500	≤3600	3300	800	26.4	3200	12.5
45ZY126000	12	≤700	6000	≤6900	4500	1100	49.5	4400	25
45ZY243000	24	≤180	3000	≤850	2200	550	12.0	2200	6.5
45ZY244500	24	≤280	4500	≤1800	3300	800	26.4	3200	6.3
45ZY246000	24	≤350	6000	≤3500	4500	1100	49.5	4400	13

1. This table lists some motors parameters, others please refer to specific parameters of Page 153.

2. After connecting motor and gearbox which is named gearmotor the output torque: motor torque X reduction ratio X gearing efficiency; output speed: motor speed / reduction ratio.

NOTE:

- Gearmotor named methods: e.g. DS-95SS45ZY123000-94K Motor please refer to the motor data 45ZY123000. Gearbox please refer to gearbox data reduction ratio 94. Related to gearmotor output speed and torque please refer to motor data.
- Motor can be installed with magnetic encoder, encoder parameters please refer to Page 138.
- Gearbox shell material: zinc alloy.
- Gearbox gear materials: The first stage gear: plastic gear. The final stage gear: 45# steel Heat-treatment gear. Other stages gear: powder metallurgy gear.
- Standard output shaft after reducing: 8.0mm. other sizes of the output shaft can make as client request.
- Chart only for reference, products shall prevail the entity.