

# DS-36RP36ZY DC GEAR MOTOR Series DongShun



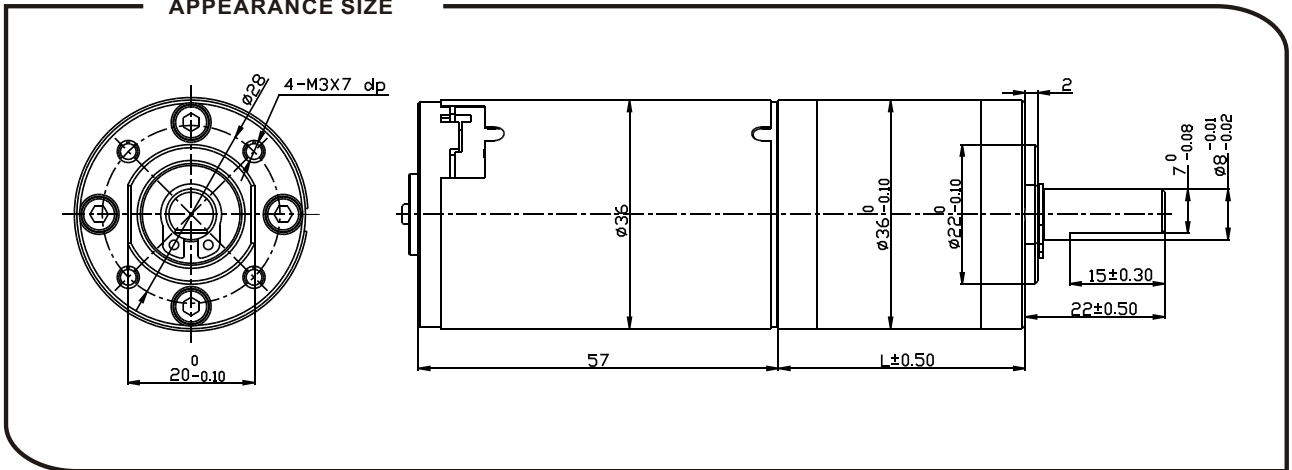
**Main voltage:** 3VDC, 6VDC, 9VDC, 12VDC, 24VDC.

**Typical applications:** Auto shutter, Pan/Tilt camera, Slot machine, Money detector, Coin refund devices, Currency count machine, Towel dispensers, Automatic doors, Peritoneal machine, Automatic TV rack, Office equipment, Household appliances, Automatic

**Weight:** 320~420g/pcs (approx)

**Packing details:** CTN size: 32X28XH26cm 40pcs/CTN G.W.18Kgs

## APPEARANCE SIZE



## Gearbox data:

Number of stages	1 stages reduction	2 stages reduction	3 stages reduction	4stages reduction	5stages reduction
Reduction ratio	3.7, 5.2	13.7, 19.2, 26.9	50.9, 71.2, 99.5, 139.	188, 264, 369, 516, 721,	699, 977, 1367, 1911, 2672, 3736,
Gearbox length "L" mm	26.4	32.6	38.9	45.3	52.5
Max. Running torque	3.0Kgf · cm	6Kgf · cm	8Kgf · cm	12Kgf · cm	20Kgf · cm
Max. Gear breaking torque	9.0Kgf · cm	18Kgf · cm	24Kgf · cm	36Kgf · cm	60Kgf · cm
Max. Gearing efficiency	90%	81%	73%	65%	59%

## Motor data:

Motor name	Rated Volt. V	No load		Load torque				Stall torque	
		Current	Speed	Current	Speed	Torque	Output power	Torque	Current
		mA	r/min	mA	r/min	gf · cm	W	gf · cm	mA
36ZY123000	12	≤140	3000	≤800	2200	180	4.0	750	3000
36ZY124500	12	≤220	4500	≤1200	3300	250	8.5	950	4800
36ZY126000	12	≤350	6000	≤2000	4500	350	15.0	1400	6000
36ZY243000	24	≤70	3000	≤400	2200	180	4.0	750	1600
36ZY244500	24	≤110	4500	≤600	3300	250	8.5	950	3000
36ZY246000	24	≤180	6000	≤1000	4500	350	15.0	1400	4000

1. This table lists some motors parameters, others please refer to specific parameters of Page 151.
2. After connecting motor and gearbox which is named gearmotor the output torque: motor torque X reduction ratio X gearing efficiency; output speed: motor speed / reduction ratio.

## NOTE:

1. Gearmotor named methods: e.g. DS-36RP36ZY123000-99.5K Motor please refer to the motor data 36ZY123000. Gearbox please refer to gearbox data reduction ratio 99.5. Related to gearmotor output speed and torque please refer to motor data.
2. Motor can be installed with magnetic encoder, encoder parameters please refer to Page 138.
3. Standard output shaft after reducing: 8.0mm, other sizes of the output shaft can make as client request.
4. Chart only for reference, products shall prevail the entity.