



DS-42RP40ZY DC GEAR MOTOR Series DongShun

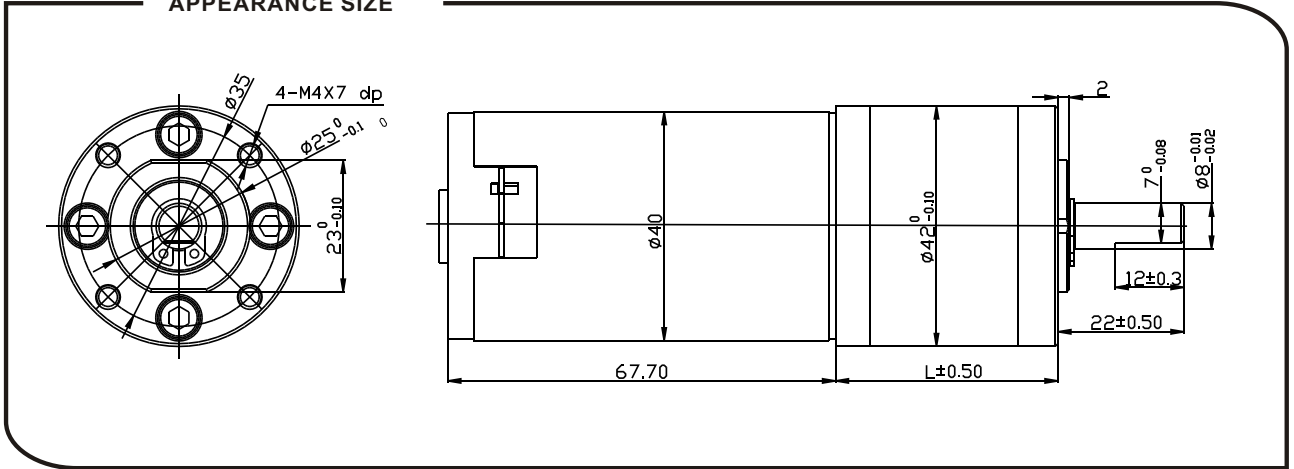
Main voltage: 3VDC、6VDC、9VDC、12VDC、24VDC、

Typical applications: Auto shutter, Pan/Tilt camera, Slot machine, Money detector, Coin refund devices, Currency count machine, Towel dispensers, Automatic doors, Peritoneal machine, Automatic TV rack, Office equipment, Household appliances, Automatic

Weight: 350~560g/pcs (approx)

Packing details: CTN size: 34X31XH15cm 20pcs/CTN G.W.11Kgs

APPEARANCE SIZE



Gearbox data:

| Number of stages | 1 stages reduction | 2 stages reduction | 3 stages reduction | 4stages reduction | 5stages reduction |
|---------------------------|--------------------|--------------------|------------------------|--------------------------|-----------------------------------|
| Reduction ratio | 3.7, 5.2 | 13.7, 19.2, 26.9 | 50.9, 71.2, 99.5, 139, | 188, 264, 369, 516, 721, | 699, 977, 1367, 1911, 2672, 3736, |
| Gearbox length "L" mm | 26.4 | 32.6 | 38.9 | 45.3 | 52.5 |
| Max. Running torque | 3.0Kgf • cm | 6Kgf • cm | 8Kgf • cm | 12Kgf • cm | 20Kgf • cm |
| Max. Gear breaking torque | 9.0Kgf • cm | 18Kgf • cm | 24Kgf • cm | 36Kgf • cm | 60Kgf • cm |
| Max. Gearing efficiency | 90% | 81% | 73% | 65% | 59% |

Motor data:

| Motor name | Rated Volt. V | No load | | Load torque | | | | Stall torque | |
|------------|---------------|---------|-------|-------------|-------|---------|--------------|--------------|---------|
| | | Current | Speed | Current | Speed | Torque | Output power | Torque | Current |
| | | mA | r/min | mA | r/min | gf • cm | W | gf • cm | A |
| 40ZY123000 | 12 | ≤120 | 3000 | ≤750 | 2200 | 220 | 4.8 | 900 | 2.8 |
| 40ZY124500 | 12 | ≤190 | 4500 | ≤1500 | 3300 | 300 | 9.9 | 1200 | 6.0 |
| 40ZY126000 | 12 | ≤250 | 6000 | ≤3000 | 4500 | 400 | 18.0 | 1600 | 10 |
| 40ZY243000 | 24 | ≤80 | 3000 | ≤400 | 2200 | 220 | 4.8 | 900 | 1.5 |
| 40ZY244500 | 24 | ≤120 | 4500 | ≤800 | 3300 | 300 | 9.9 | 1200 | 3.0 |
| 40ZY246000 | 24 | ≤160 | 6000 | ≤1500 | 4500 | 400 | 18.0 | 1600 | 5.5 |

1. This table lists some motors parameters, others please refer to specific parameters of Page 152.

2. After connecting motor and gearbox which is named gearmotor the output torque: motor torque X reduction ratio X gearing efficiency; output speed: motor speed / reduction ratio.

NOTE:

1. Gearmotor named methods: e.g. DS-42RP40ZY123000-99.5K Motor please refer to the motor data 40ZY123000. Gearbox please refer to gearbox data reduction ratio 99.5. Related to gearmotor output speed and torque please refer to motor data.
2. Motor can be installed with magnetic encoder, encoder parameters please refer to Page 138.
3. Standard output shaft after reducing: 8.0mm. other sizes of the output shaft can make as client request.
4. Chart only for reference, products shall prevail the entity.