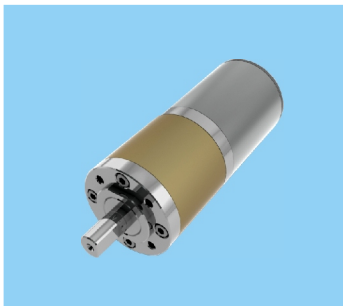


# DS-52RP52 DC GEAR MOTOR Series **DongShun**



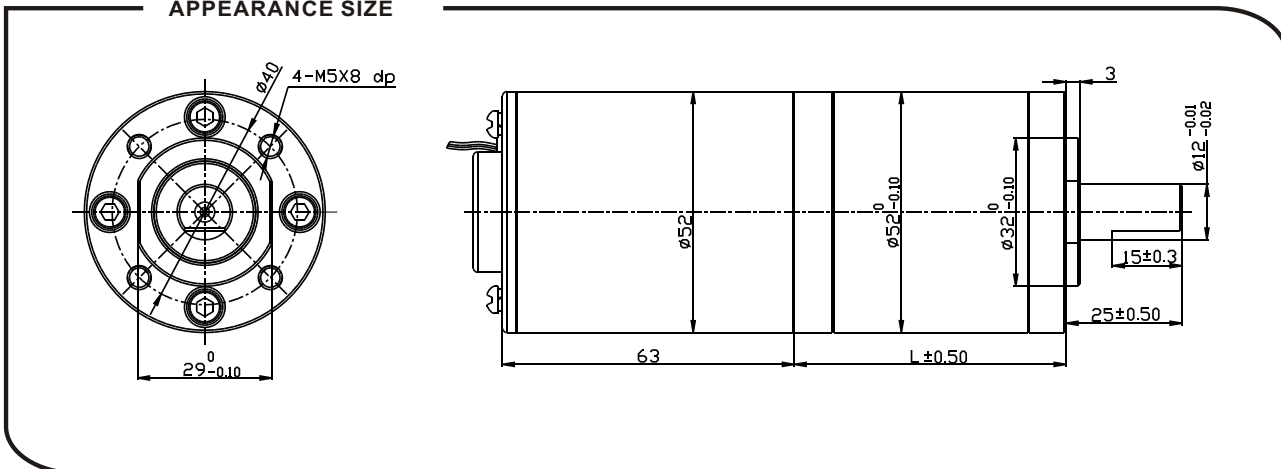
**Main voltage:** 12VDC、24VDC、

**Typical applications:** Pan/Tilt cameras, Grill, Oven, Cleaning machine, Garbage disposers, Packing bank note machine, Coffee machine, Medical machine, Manostat, Amusement equipment, infusion pumps, Office equipment, Household appliances, Automatic

**Weight:** 820~1300g/pcs(approx)

**Packing details:** CTN size: 40X20XH14cm 10pcs/CTN G.W.15Kgs

## APPEARANCE SIZE



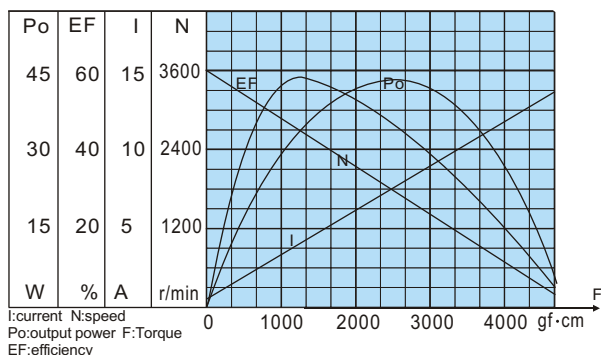
## Gear Motor Torque/Speed

Reduction ratio		1/3.7	1/5.2	1/13.7	1/19.2	1/26.9	1/50.9	1/71.2	1/99.5	1/139	1/188	1/264	1/369	1/516	1/721	1/699	1/977	1/1367	1/1911	1/2672	1/3736
12V	Rated torque (Kgf.cm)	4.0	5.62	13.3	18.7	26.1	44.6	62.4	87	120	120	120	120	120	120	120	120	120	120	120	120
	Rated speed (r/min)	730	519	197	141	100	53	38	27	19.4	14.4	10.2	7.4	5.3	3.8	3.9	2.8	2.0	1.5	1.1	0.8
24V	Rated torque (Kgf.cm)	4.0	5.62	13.3	18.7	26.1	44.6	62.4	80	80	80	80	80	80	80	80	80	80	80	80	80
	Rated speed (r/min)	730	519	197	141	100	53	38	27	19.4	14.4	10.2	7.4	5.3	3.8	3.9	2.8	2.0	1.5	1.1	0.8
Gearbox "L" mm		35.5		47.1			50.5				70.3				81.9						

## Motor Data

额定电压 Rated volt(V)	额定扭力 Rated torque (g·cm)	额定转速 Rated speed (rpm)	额定电流 Rated current (mA)	空载转速 No load speed (rpm)	空载电流 No load current (mA)	额定功率 Rated output (w)	重量 Weight (g)
12	1200	2700	≤4100	3600	≤700	32	580
24	1200	2700	≤2000	3600	≤400	32	580

## 52ZY-12V-3600r/min Characteristics



## 52ZY-24V-3600r/min Characteristics

