

DS-60RP60 DC GEAR MOTOR Series **DongShun**

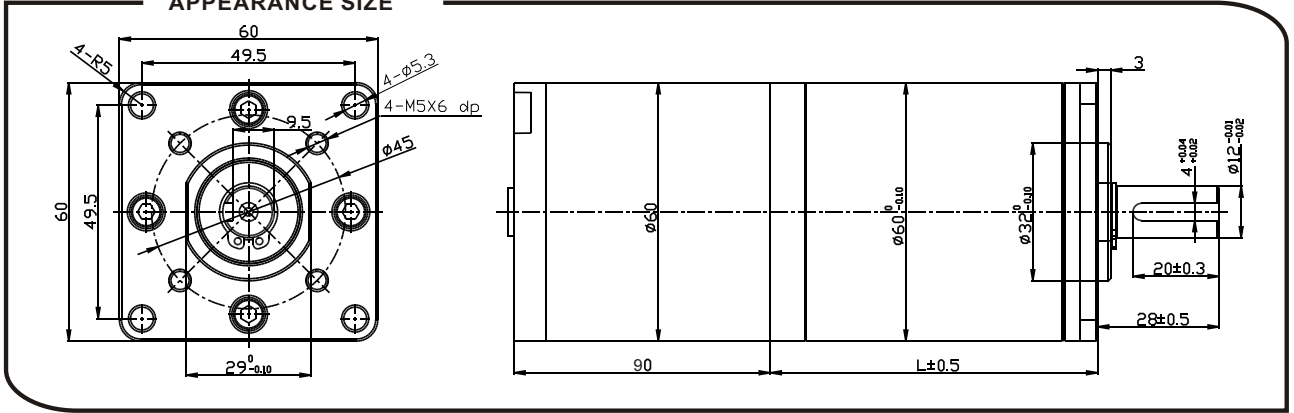
Main voltage: 12VDC、24VDC、

Typical applications: Garage gate, Automatic doors, Medical equipment, Garbage disposers, Grill, Oven, Micro CNC equipment, Peristaltic pump, Cleaning machine, Amusement equipment, Office equipment, Household appliances, Automatic actuator.

Weight: 1200~2000g/pcs(approx)

Packing details: CTN size: 40X20XH14cm 10pcs/CTN G.W.20Kgs

APPEARANCE SIZE



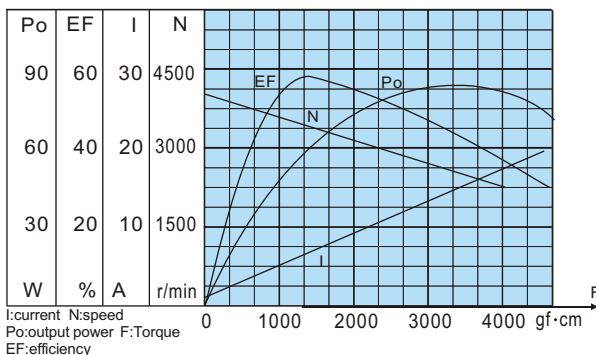
Gear Motor Torque/Speed

Reduction ratio		1/3.6	1/4.3	1/13	1/19.2	1/22.7	1/46.7	1/69	1/102	1/121	1/198	1/276	1/326	1/409	1/513	1/843	1/995	1/1567	1/1966	1/2321	1/3439
12V	Rated torque (Kgf.cm)	5.83	6.97	18.9	28	33.1	61.4	90.7	134	150	150	150	150	150	150	150	150	150	150	150	150
	Rated speed (kr/min)	923	773	256	173	147	71.1	48.2	32.6	27.5	16.8	12.1	10.2	8.2	6.5	4	3.4	2.2	1.7	1.5	1
24V	Rated torque (Kgf.cm)	6.8	8.13	22.1	32.7	38.6	71.6	105	120	120	120	120	120	120	120	120	120	120	120	120	120
	Rated speed (r/min)	903	756	250	170	144	69.6	47.2	31.9	26.9	16.5	11.8	10	8	6.4	3.9	3.3	2.1	1.7	1.4	1
Gearbox "L" mm		37.1			51.0			64.9			78.8			95.2							
Other ratio: 15.3, 18, 55, 65, 76.8, 81.6, 96.3, 168, 234, 249, 294, 347, 369, 435, 546, 644, 713, 896, 1260, 1327, 1248, 1175, 1474, 1850, 2913, 1387, 1740, 2184, 2740.																					

Motor Data

额定电压 Rated volt(V)	额定扭力 Rated torque (g-cm)	额定转速 Rated speed (rpm)	额定电流 Rated current (mA)	空载转速 No load speed (rpm)	空载电流 No load current (mA)	额定功率 Rated output (w)	重量 Weight (g)
12	1800	3320	≤9400	4000	≤1200	60	1300
24	2100	3250	≤5350	4000	≤700	68	1300

60ZY-12V-4000r/min Characteristics



60ZY-24V-4000r/min Characteristics

