



DSMOTORS

# 深圳市东顺电机有限公司

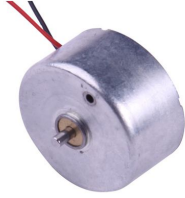
SHENZHEN DONGSHUN MOTOR CO., LTD

## 产品规格书

MOTOR SPECIFICATION

TEL:0755-27919027 FAX:0755-27914710

Website:Http://www.dongshunmotor.com

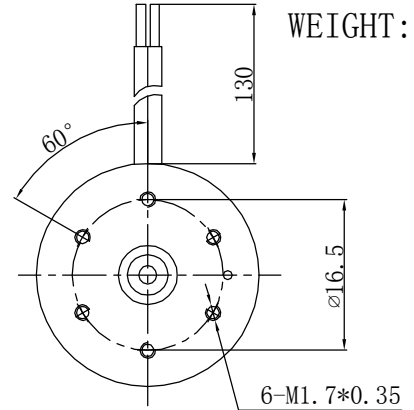
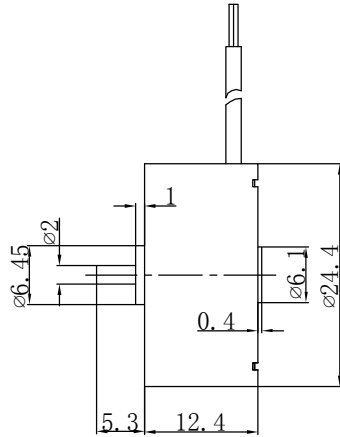
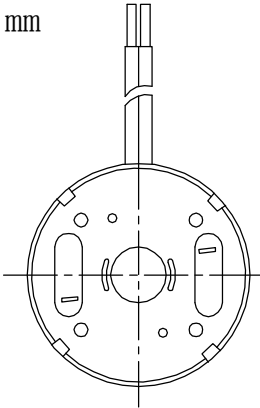


DS-300CA

OUTPUT: APPROX. 0.1-0.5W

MODEL	VOLTAGE		NO LOAD		AT MAXIMUM EFFICIENCY				STALL	
	OPERATING RANGE (v)	NOMINAL	SPEED r/min	CURRENT A	SPEED r/min	CURRENT A	TOGQUE g. cm	OUTPUT W	TOGQUE g. cm	CURRENT A
DS-300CA-11440	0.7-5.0	2.0V	2200	0.018	1660	0.055	2.9	0.049	12	0.17
DS-300CA-11400	1.2-6.0	3.0V	3700	0.028	2970	0.073	3.8	0.12	20	0.30

Unit:mm



WEIGHT: 22g

MODEL: DS-300CA-11440

VOLTAGE: 2.0V

MODEL: DS-300CA-11400

VOLTAGE: 3.0V

