



深圳市东顺电机有限公司

SHENZHEN DONGSHUN MOTOR CO., LTD

产品规格书

MOTOR SPECIFICATION

TEL:0755-27919027 FAX:0755-27914710

Website:Http://www.dongshunmotor.com



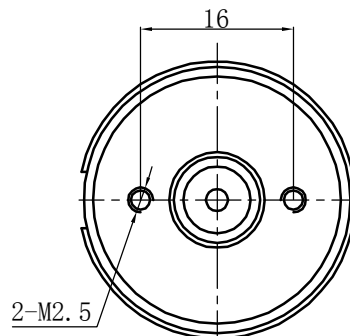
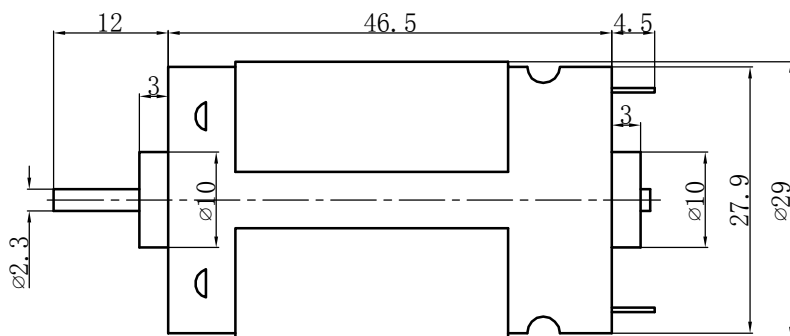
DS-395SA/SAC

OUTPUT: APPROX 2.2-18W

MODEL	VOLTAGE		NO LOAD		AT MAXIMUM EFFICIENCY				STALL	
	OPERATING RANGE (v)	NOMINAL	SPEED r/min	CURRENT A	SPEED r/min	CURRENT A	TORQUE g. cm	OUTPUT W	TORQUE g. cm	CURRENT A
DS-395SA-15110R	12.0-24.0	24V	9200	0.09	7714	0.46	105	8.31	650	2.4
DS-395SAC2-2935	9.0-24.0	12V	14400	0.32	12239	1.87	12.6	15.91	920	10.8

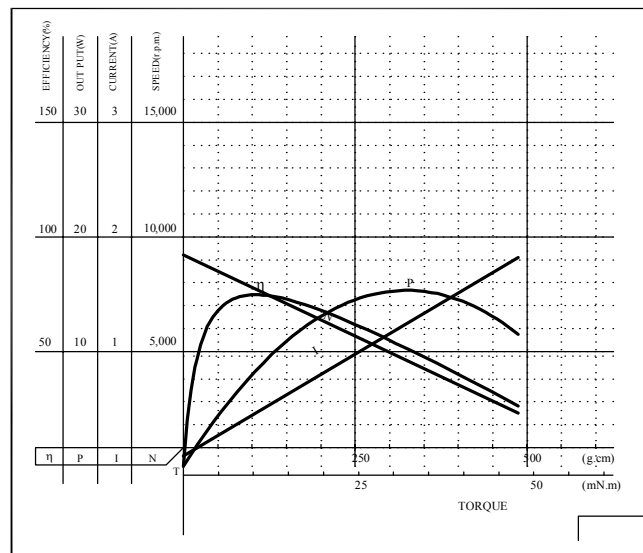
Unit:mm

WEIGHT:95g



DS-395SAC2-2935

MODEL:DS-395SA-15110R VOLTAGE: 24V



MODEL:DS-395SAC2-2935 VOLTAGE: 24V

