



# 深圳市东顺电机有限公司

SHENZHEN DONGSHUN MOTOR CO., LTD

## 产品规格书

### MOTOR SPECIFICATION

TEL:0755-27919027 FAX:0755-27914710

Website:Http://www.dongshunmotor.com

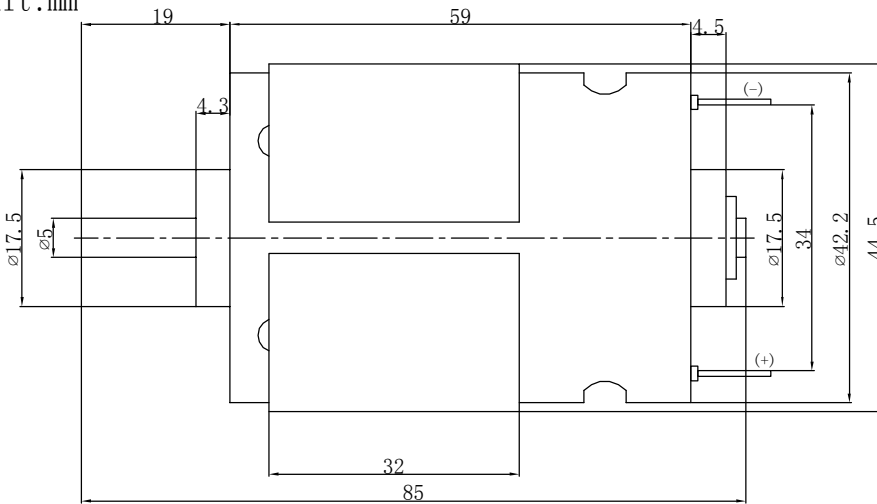


DS-750

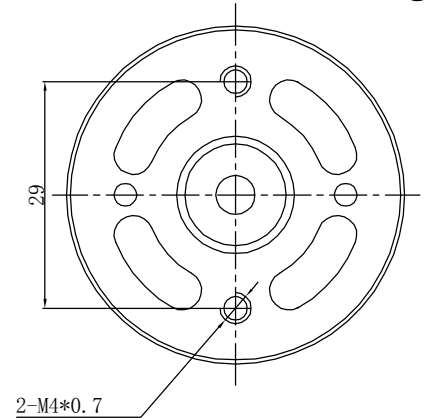
OUTPUT: APPROX 10-120W

MODEL	VOLTAGE		NO LOAD		AT MAXIMUM EFFICIENCY				STALL	
	OPERATING RANGE (v)	NOMINAL	SPEED	CURRENT	SPEED	CURRENT	TOGQUE	OUTPUT	TOGQUE	CURRENT
			r/min	A	r/min	A	g. cm	W	g. cm	A
DS-750-9013	3.0-6.0	6V	19000	4.0	16800	19.27	477	82.74	3490	112.22
DS-750-32160	12.0-36.0	12V	3200	0.36	2600	1.36	387	10.5	2140	6.14

Unit:mm

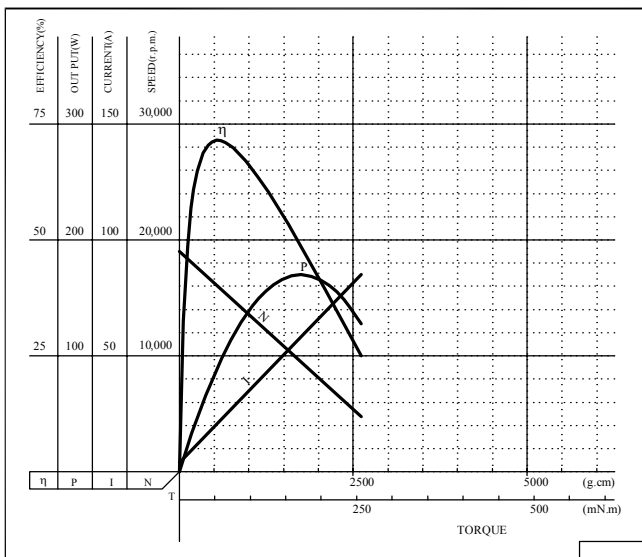


WEIGHT: 270g



MODEL: DS-750-9013

VOLTAGE: 6V



MODEL: DS-750-32160

VOLTAGE: 12V

